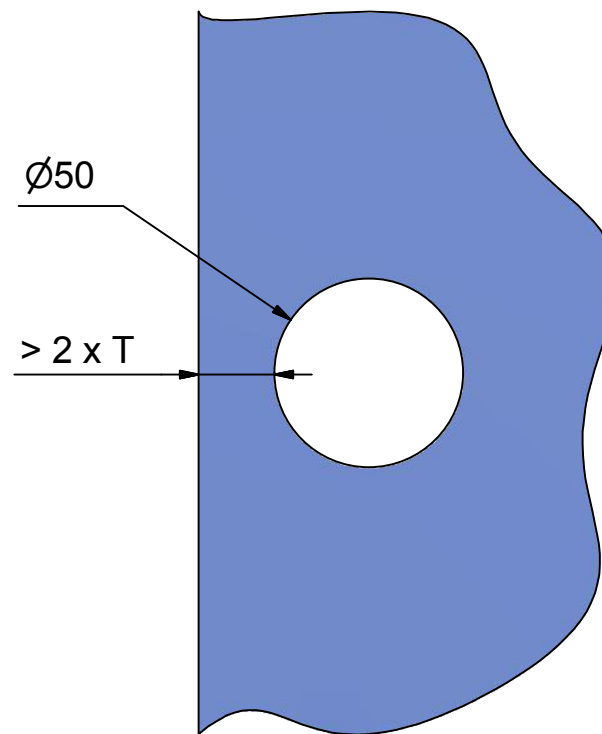
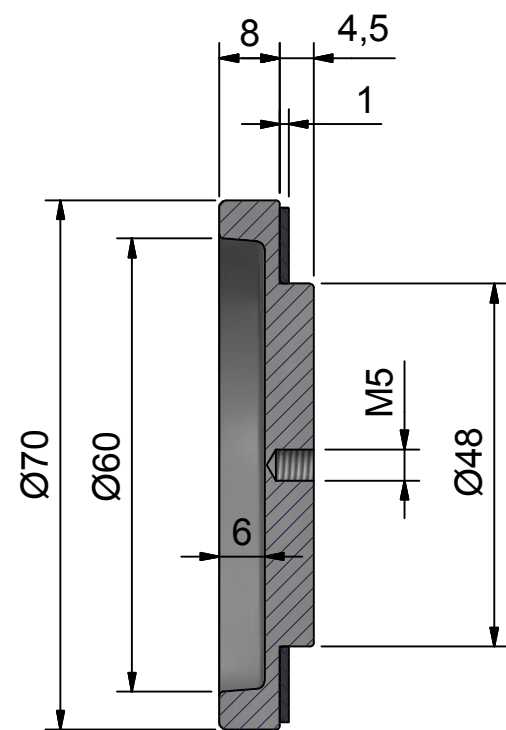




ROCA

A3



T = 8 - 10mm with set screw M5x10

