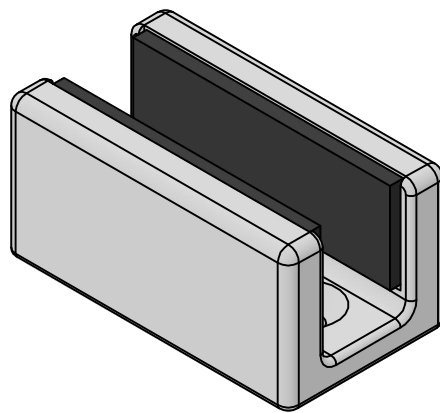
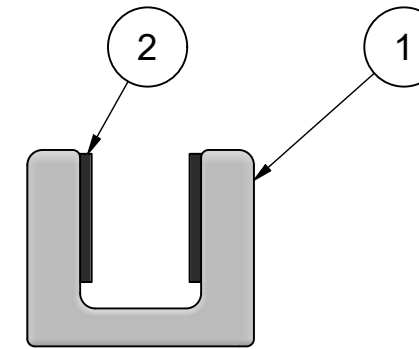
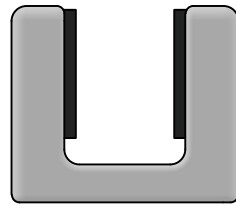


1. Guide printas (triangular fill)
2. Rengör limytor med isopropanol
3. Limma dit filtmaterialiet.



Notice: Unless otherwise stated the following applies

A3

Sharp edges removed	General tol. acc. to ISO 2768-1/m , ISO 2768-2/K				Rough castings ±1,0mm	
Nom. measurement	< 6	< 30	< 120	< 400	< 1000	M-thread 6H/6g - ISO965
Deviation	± 0,1	± 0,2	± 0,3	± 0,5	± 0,8	Tol. for out / inside diameter h11 / H11

2	2	10002477	Soft pads for door guide, self adeshive on side			865327
1	1	10002476	Guide sliding door (RG-540)			
Pos	Qty	Part number	Description			Item number
Material		Colour		Scale	Date	
				1 : 1	2023-02-24	
Surface treatment			Volume	Item no.		
			N/A	867061		
Design	Checked	Replaces	PI	Weight	Status	
alegri				N/A	A - Only for price inquiry B - Only for production of tooling and samples P - Approved for production	
Door guide (RG-540)					Rev.	Drawing no.
					1	10002480

