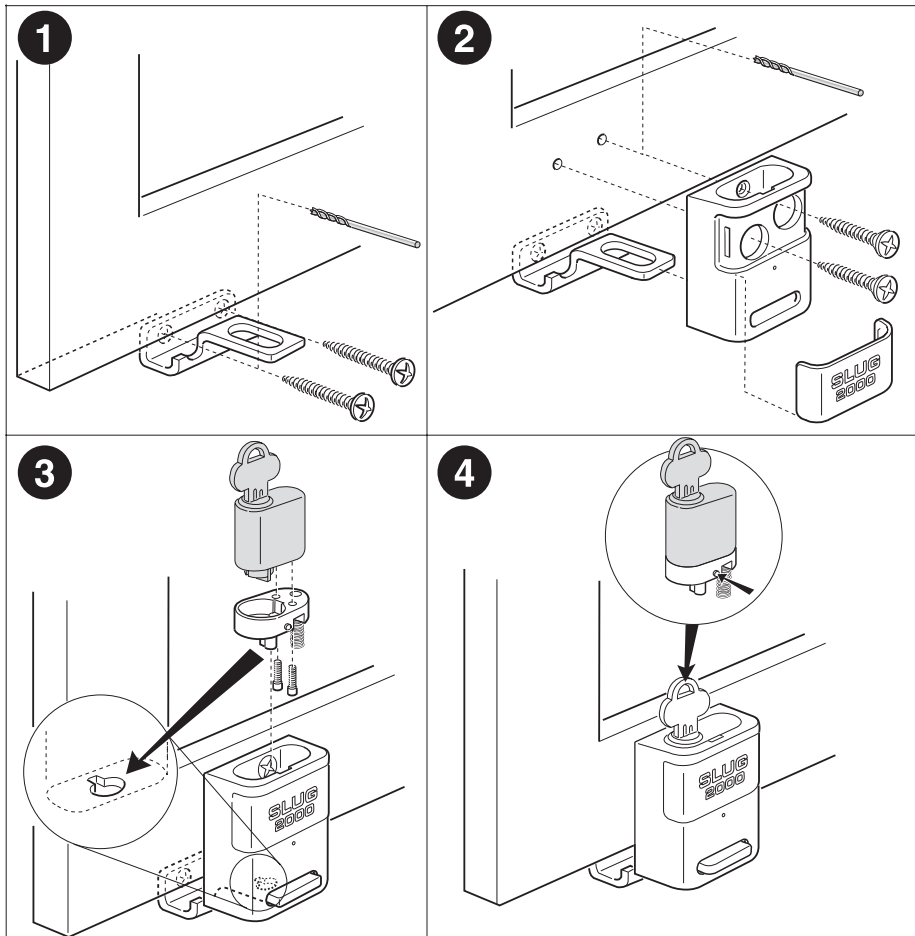


Installation guide, SLUG 2010, inwards



1.

Mount the strike plate on the window rabbet. Use a 3 mm drill for the hole. Do not tighten the first screw entirely until the second one is screwed past the edge. Then tighten both screws.

2.

Attach the cylinder housing and mark the screw holes. Use a 3,5 mm drill for the holes and countersunk screws. Try to open and close the window. Place the plastic cover on the cylinder housing.

3.

Attach the end-piece to the push button cylinder.

4.

Push down the fully assembled push button cylinder lock by turning the key to the right while pushing the stop pin. The cylinder must be properly placed - note the position of the locking pin and make sure it slides into the socket.

How to use

Lock with push button cylinder:

Open by turning the key to the right

Remove the key and push down the cylinder to lock

Disassembly

The cylinder can be dismantled when unlocked: use a paper clip to push the stop pin in the small hole on the cylinder housing.

Tips

Make sure that the screw holes are not placed in a way that the glass may be damaged.

Use recommended lubricant to prevent the lock from grinding or seizing up.
Note: Some windows or mountings call for a 2 - 5 mm distance between the cylinder housing and the strike plate.

