

Catch plate
 905777 - Steel/ZP
 904207 - 316/EP

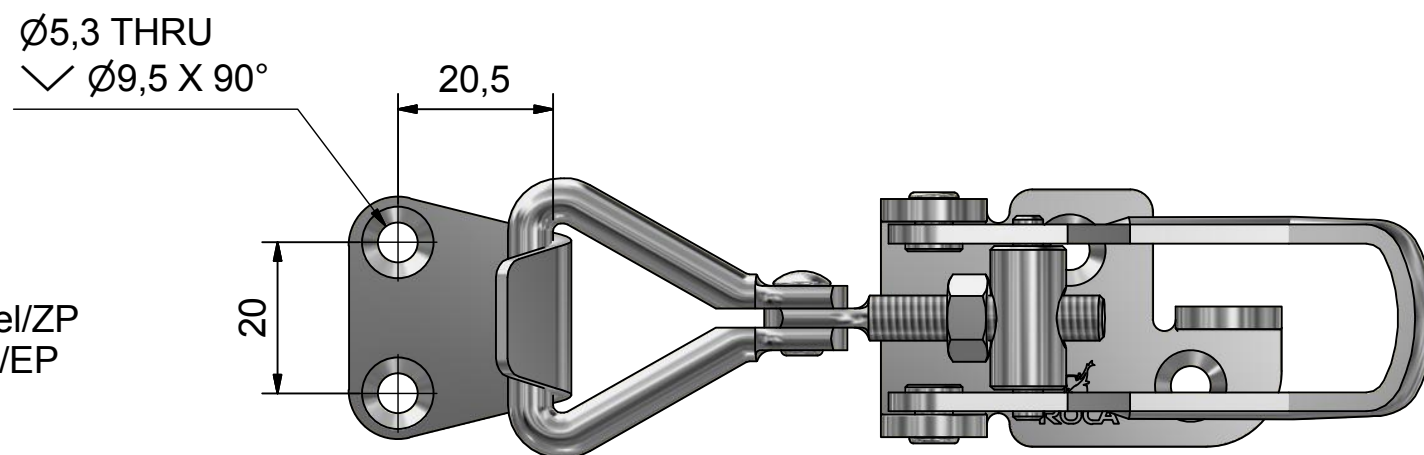
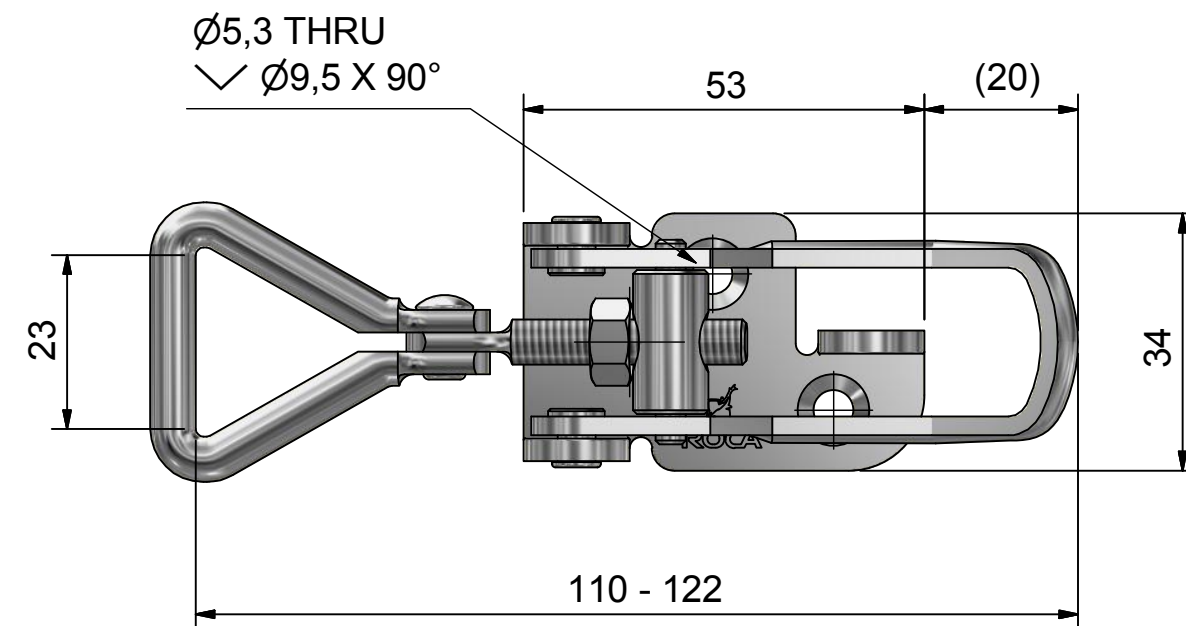
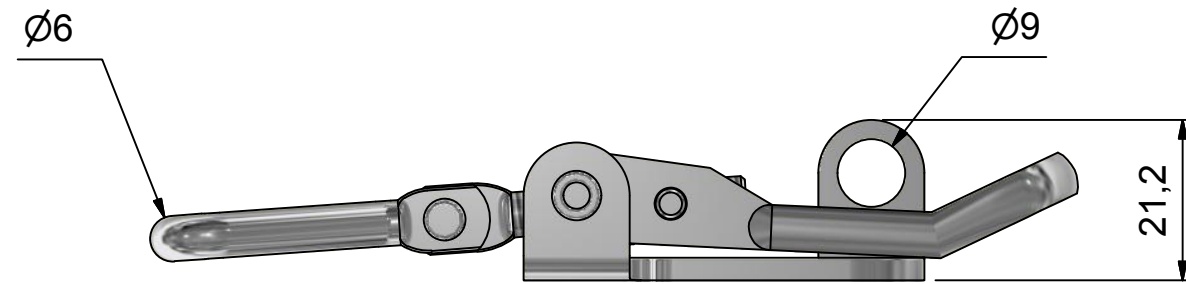
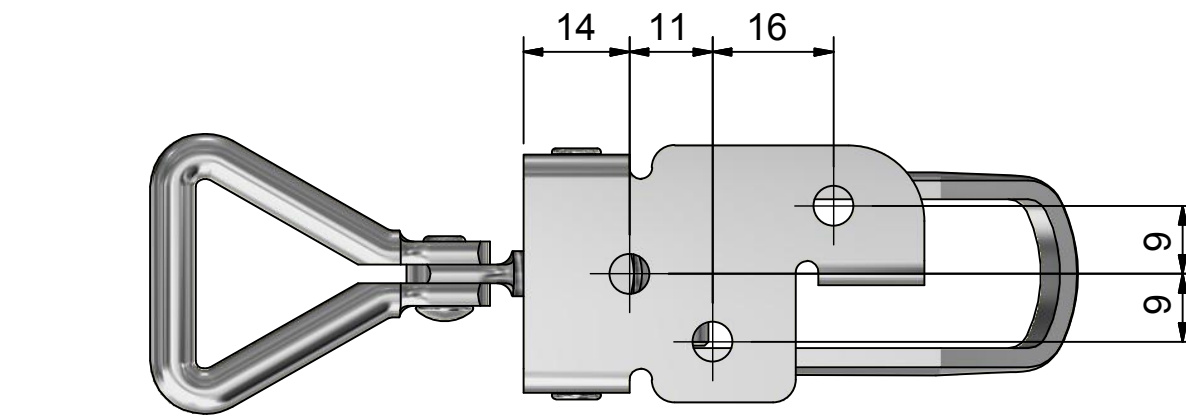
New Eccenter latch / Type 291

- AISI 316 / Electro polished
- Steel / ZP

- Will replace 904101-02 (91) and 934101-02 (191).
- Same hole configuration as both 91 and 191 type.
- Hasp same as for 91 type.

Type 291	
Item no.	Material
924101	Steel / ZP
924102	316 / EP

Date	
160129	
Name	Item no.
Eccenter latch	924101-02


Catch plate

 905775 - Steel/ZP
 904208 - 316/EP

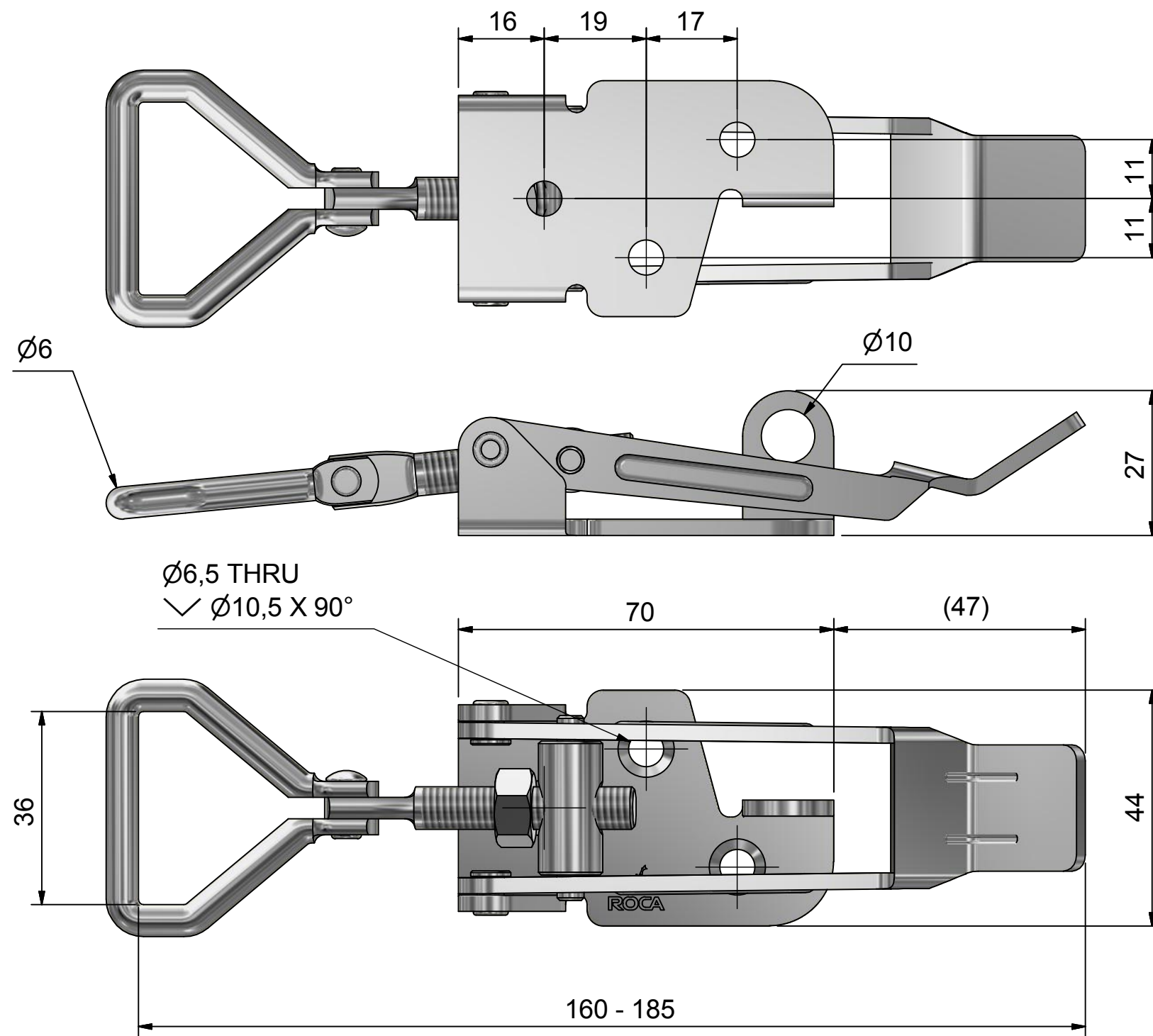
New Eccenter latch / Type 305

 - AISI 316 / Electro polished
 - Steel / ZP

 - Will replace 904111-12 (105) and 934111-12 (205).
 - Same base plate and hole configuration as 205 type.
 - Hasp same as for 105 type.

Type 305	
Item no.	Material
924111	Steel / ZP
924112	316 / EP

Name		Date
Eccenter latch		160129
Item no.		Item no.
924111-12		



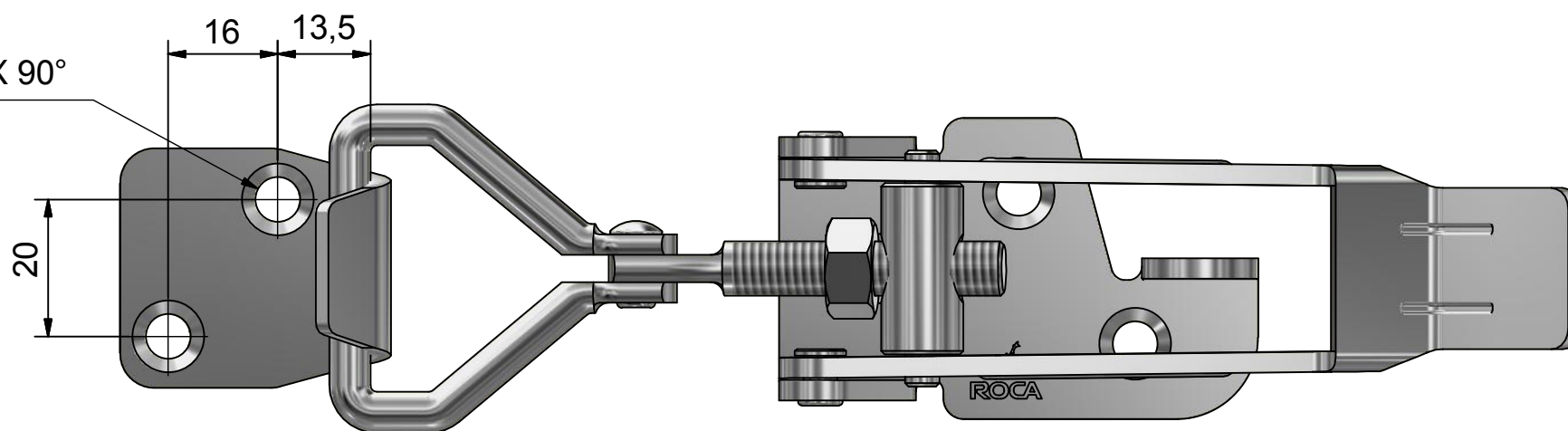
New Eccenter latch / Type 307

- AISI 316 / Electro polished
- Steel / ZP

- Will replace 904121-22 (107) and 934121-22 (207).
- Same base plate and hole configuration as 207 type.
- Hasp same as for 107 type.

Ø6,5 THRU
 ✓ Ø10,5 X 90°

Catch plate
 905779 - Steel/ZP
 904209 - 316/EP



Type 307	
Item no.	Material
924121	Steel / ZP
924122	316 / EP

Name	Eccenter latch	Date	160129
Item no.	924121-22	Item no.	

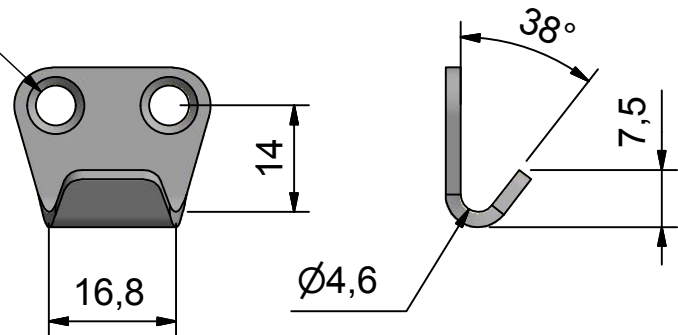


ROCA

Type 10	
Item no.	Mtr / treatm.
904207	316 / EP
905777	Steel / ZP

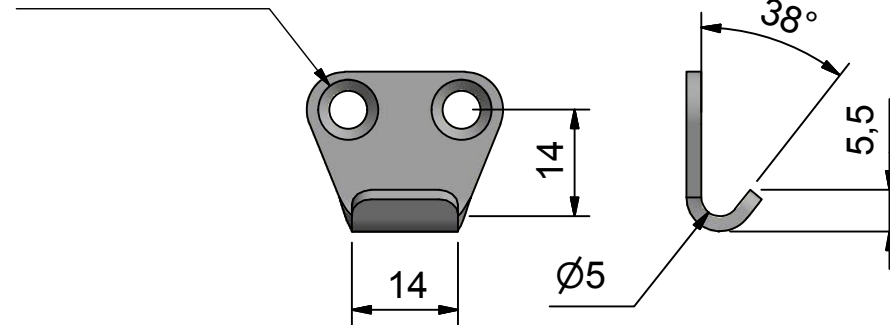
Improved

Ø5,3 THRU
∨ Ø7,5 X 90°



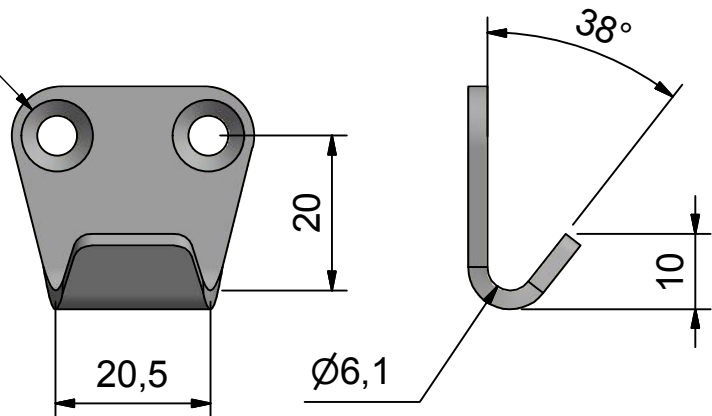
Old

Ø5 THRU
∨ Ø8 X 90°

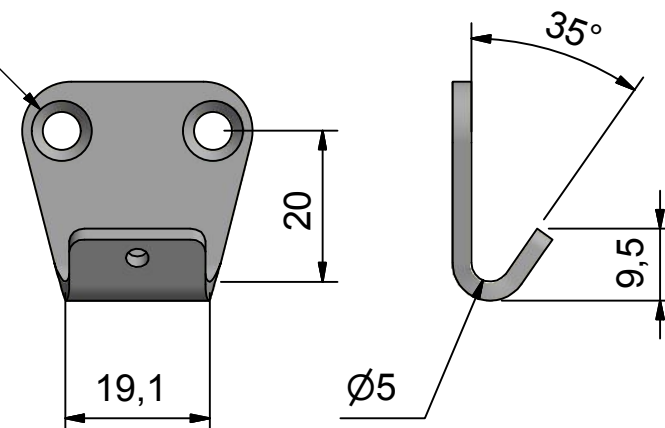


Type 16	
Item no.	Mtr / treatm.
904208	316 / EP
905775	Steel / ZP

Ø5,3 THRU
∨ Ø9,5 X 90°

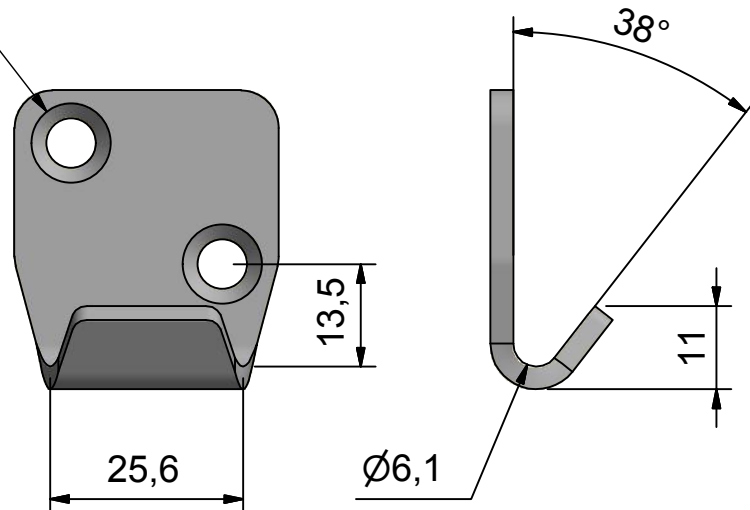


Ø5 THRU
∨ Ø8 X 90°



Type 14	
Item no.	Mtr / treatm.
904209	316 / EP
905779	Steel / ZP

Ø6,5 THRU
∨ Ø10,5 X 90°



Ø5,5 THRU
∨ Ø8,5 X 90°

